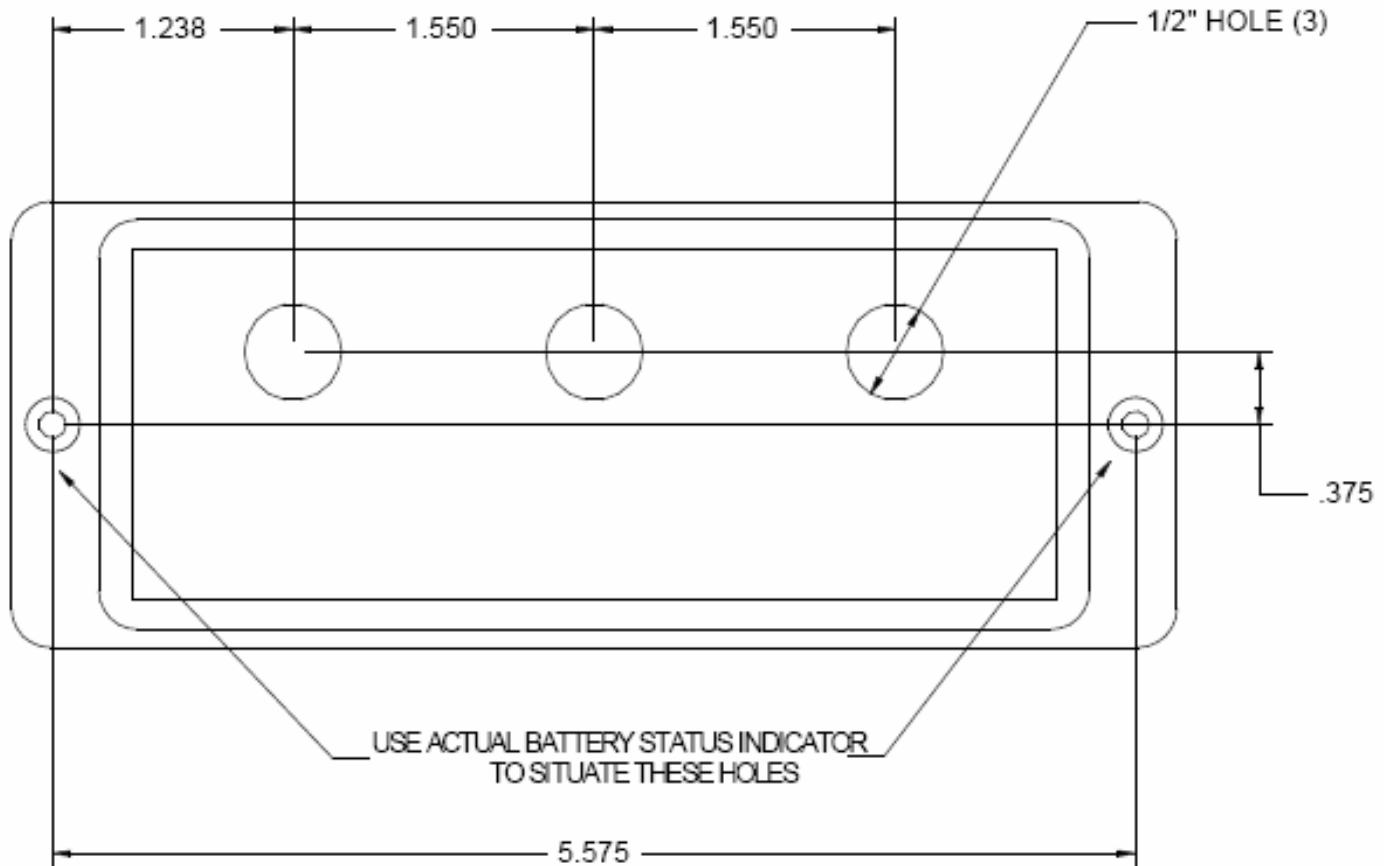


## REMOTE INDICATOR MOUNTING TEMPLATE



1. Locate remote indicator template at desired location. Drill a pilot hole at the center of each hole position using a 1/8" bit. Once the pilot holes are ready, drill three 1/2" holes where indicated. Care should be taken to thoroughly clean the surface with isopropyl alcohol after the holes have been drilled.
2. For best results, a fish tape or length of wire should be used to pull the cables through from the remote indicator location to the batteries.
3. Once the cables have been pulled to the desired location, remove the adhesive backing from the remote indicator and carefully place the unit on the mounting surface.
4. Gently apply pressure to the unit in order to assure that the adhesive is making solid contact with the mounting surface.
5. Drill two 3/32" pilot holes using the remote indicator housing as a guide. Insert the two #8 black screws which have been provided and gently tighten.
6. To attach the cable assemblies to the batteries, connect the ring terminals of the red wires to the positive (+) battery posts and the ring terminals of the black wires to the negative (-) battery posts.
7. Remove the clear protective film from the face of the remote charge indicator.
8. To test the unit, simply plug in your Three Bank Pro Charger and observe the Light Emitting Diodes (LEDs) on the remote charge indicator. All sets of LEDs should illuminate once the Charger begins to charge. The Red LEDs will illuminate indicating the status of the battery during charge. If the Three Bank Pro Charger has completed the charge cycle and the green LEDs are illuminated, the remote charge indicator will continue to display green LEDs if the charger is unplugged. The green LEDs will remain on until either the battery voltage begins to drop or the battery charger is activated.