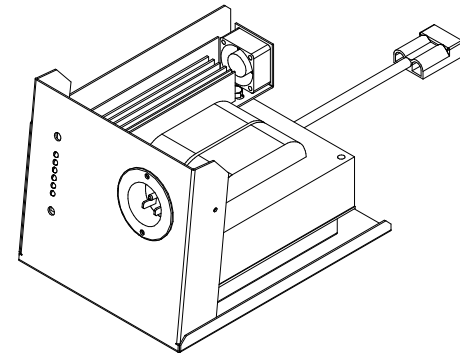
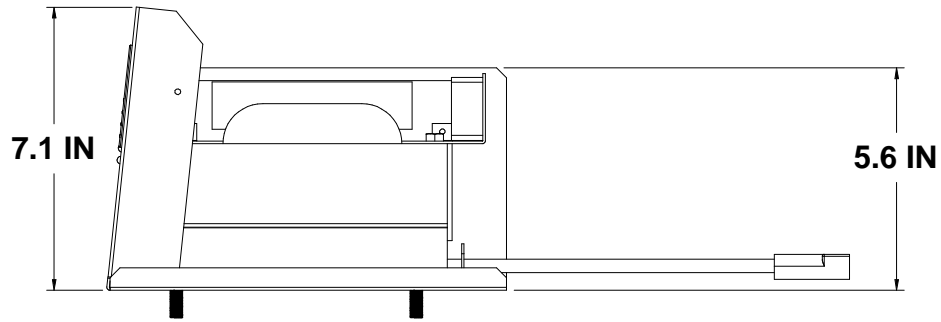
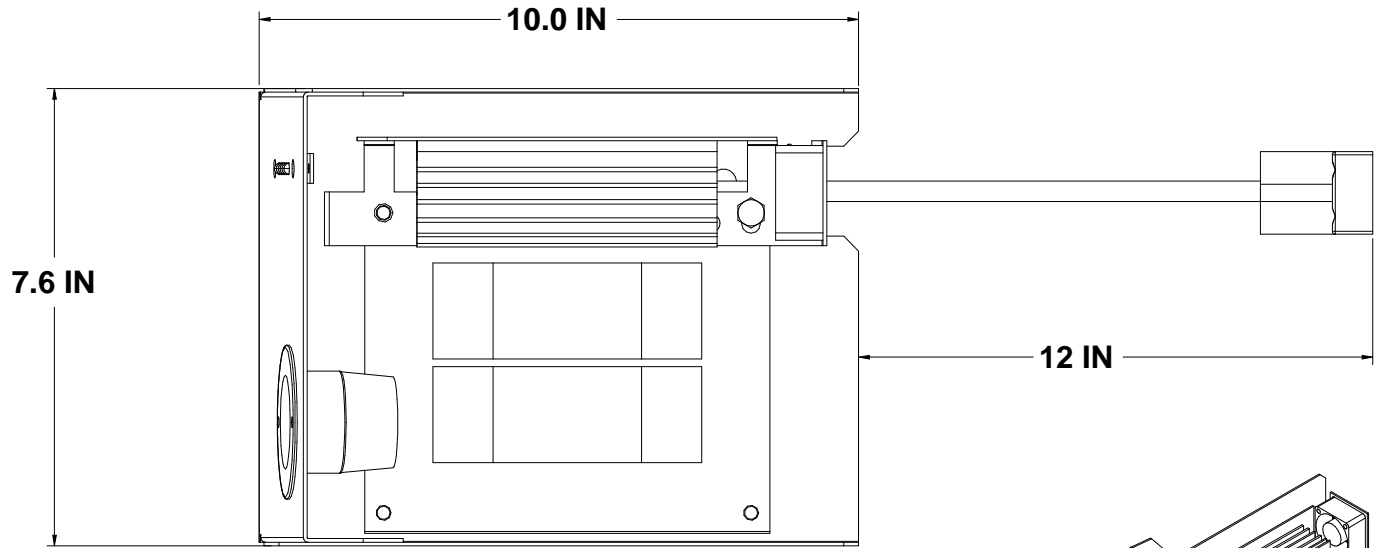


REVISIONS				
ZONE	REV	DESCRIPTION	DATE	APPROVED
	A	REFERENCE ONLY	12/20/09	



SIZE	FSCM NO.	DWG NO.	REV
B		2425OBBL	A
SCALE		SHEET	