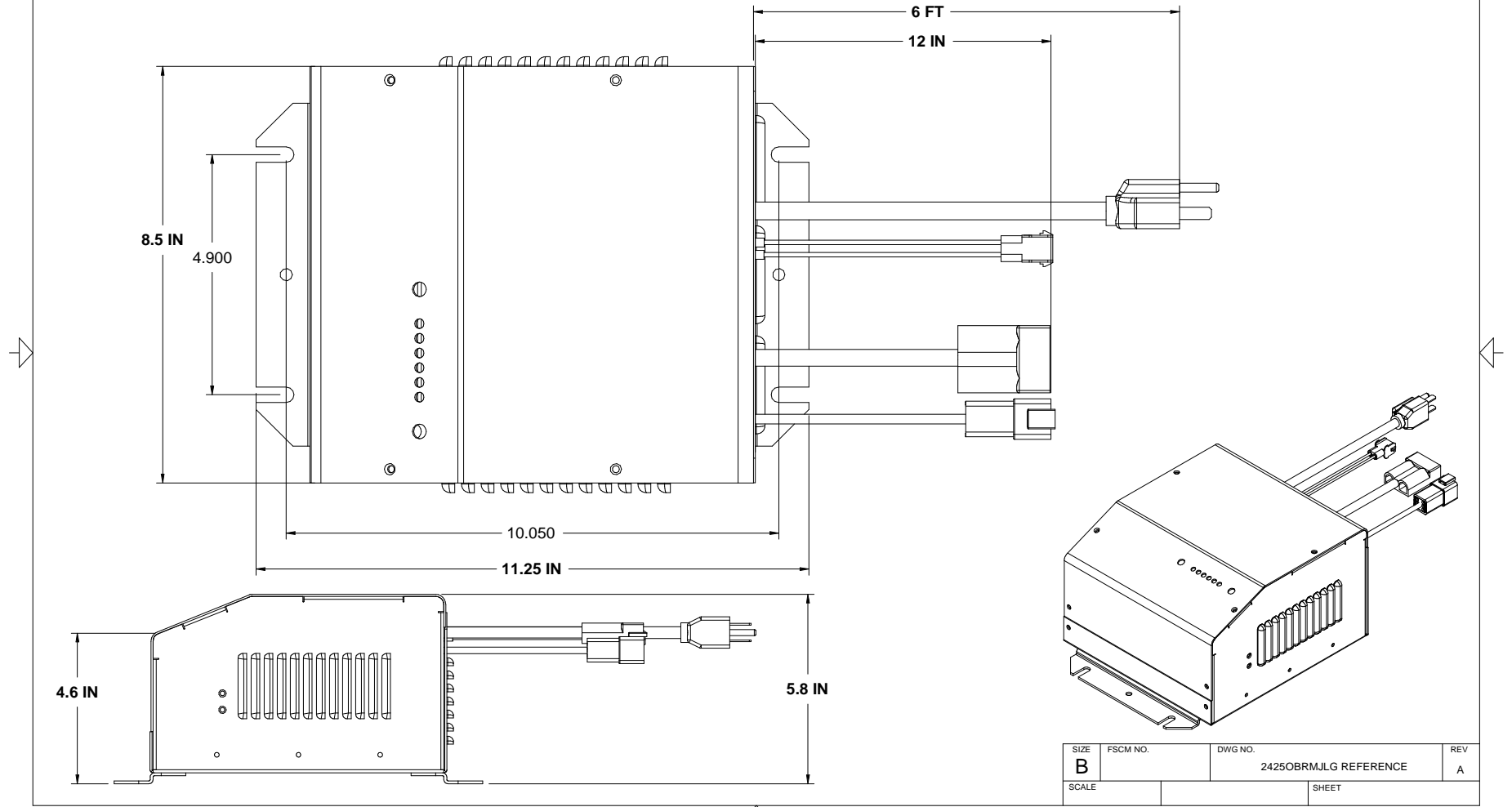


# 2425OBRMJLG REMOTE LED CONNECTOR

REVISIONS				
ZONE	REV	DESCRIPTION	DATE	APPROVED
	A	REFERENCE ONLY	12/20/09	



SIZE	FSCM NO.	DWG NO.	REV
<b>B</b>		2425OBRMJLG REFERENCE	A
SCALE		SHEET	