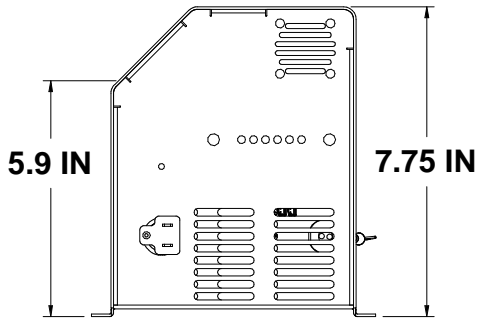
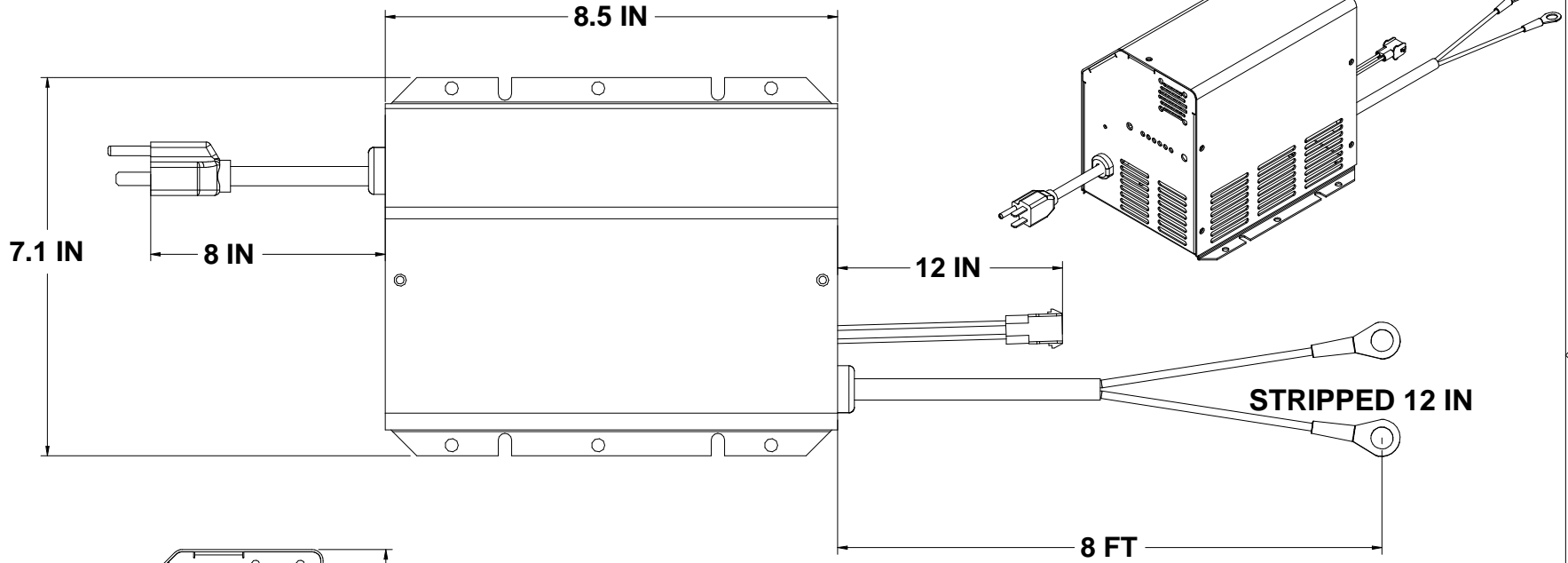


PRO Charging Systems  
 1551 Heil Quaker Blvd  
 Laverne, TN 37086

**2425OBRMLIFT**

REVISIONS				
ZONE	REV	DESCRIPTION	DATE	APPROVED
A		REFERENCE ONLY	12/20/09	



SIZE <b>B</b>	FSCM NO.	DWG NO. 2425OBRMLIFT REFERENCE	REV A
SCALE		SHEET	