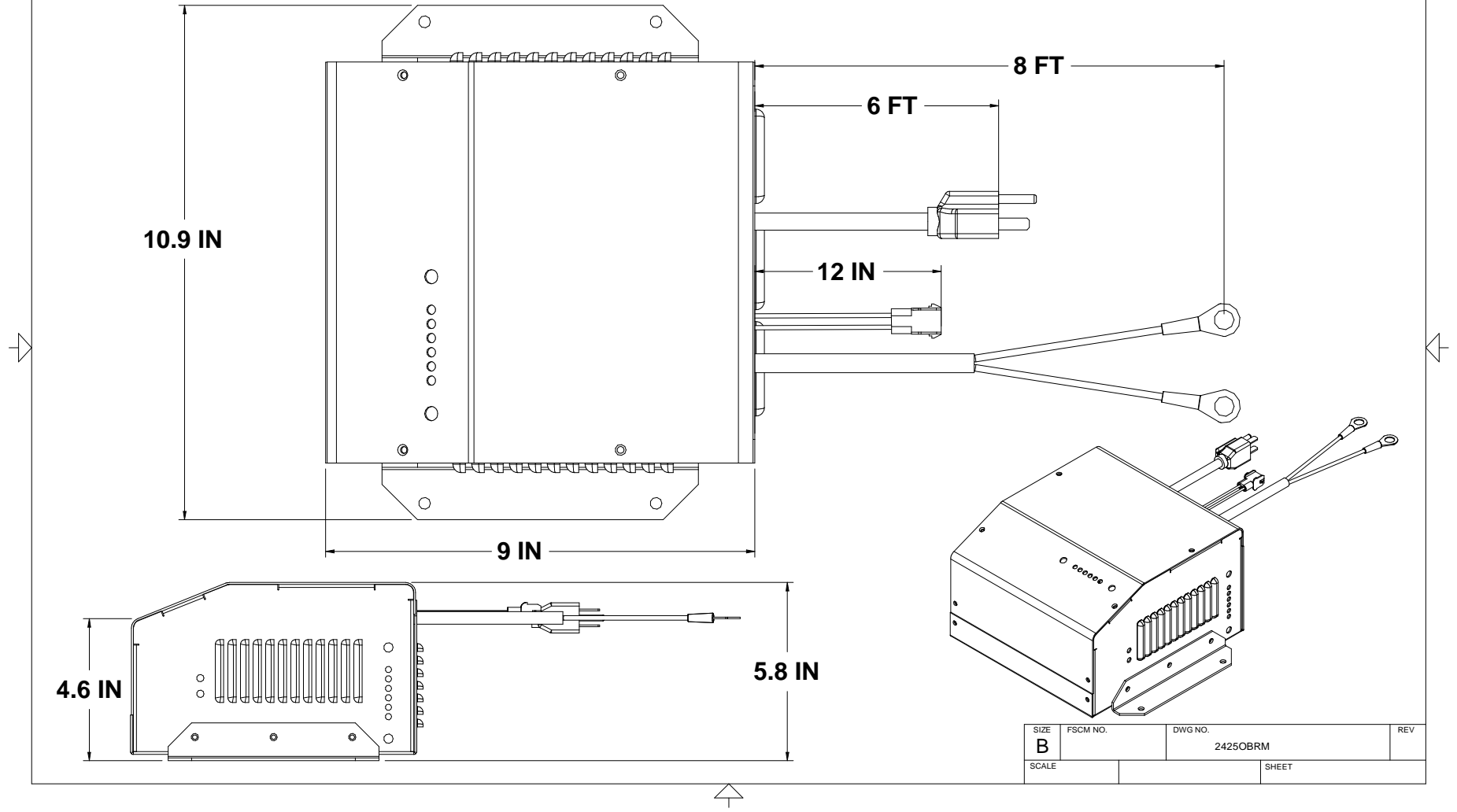


PRO Charging Systems
 1551 Heil Quaker Blvd
 Laverne, TN 37086

2425OBRM

REVISIONS				
ZONE	REV	DESCRIPTION	DATE	APPROVED
	A	REFERENCE ONLY	12/20/09	



2425OBRM

SIZE	FSCM NO.	DWG NO.	REV
B		2425OBRM	
SCALE		SHEET	