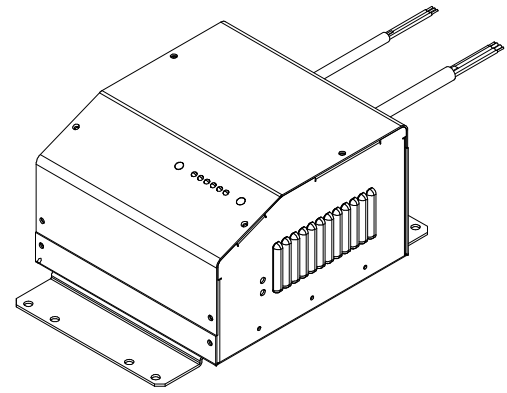
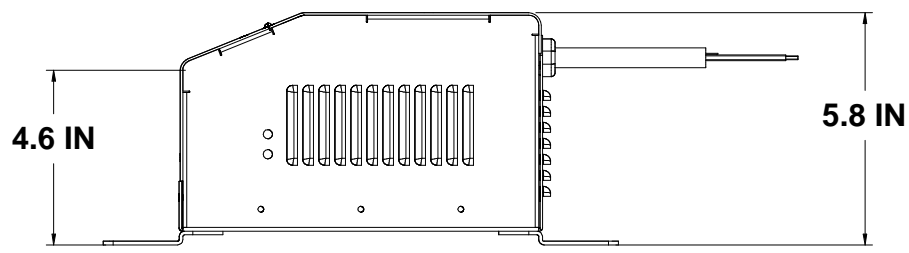
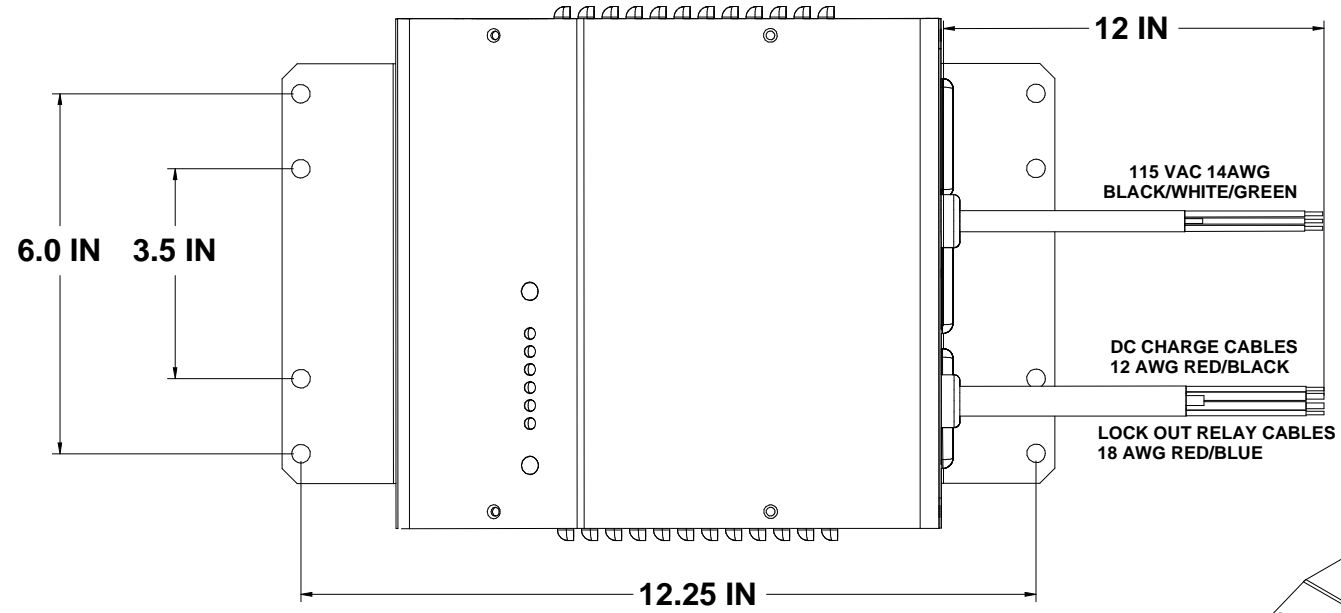


**2425OBRMTD  
 TAYLOR DUNN MODEL**

REVISIONS				
ZONE	REV	DESCRIPTION	DATE	APPROVED
	A	REFERENCE ONLY	03/23/10	



SIZE <b>B</b>	FSCM NO.	DWG NO. 2425OBRMTD	REV A
SCALE		SHEET	

2425OBRMTD