



## Battery Charging System Designed for the **Demands of the Industrial Lift Industry**

- Easy Installation!—"Plug 'N Play" Technology
- Unmatched Performance, Reliability, Safety and Quality
- DeltaVolt—Intuitive 5 Stage Charge Technology
- Advanced Charging Algorithms
- Superior Control of Specific Gravity Consistent with Battery Manufacturer Recommendations
- Quickly Becoming Known as the Charger of Choice for the Rental Market



May be used in many types of applications including: **Scissor Lifts, Aerial Lifts, Walk Behind Forklifts, Platform Lifts and Other Lift Equipment.**

Batteries and battery chargers are systems that should work together to provide optimal performance for lifts and lift systems. When either the battery or the charger under performs the result is reduced productivity at the jobsite and increased costs relative to the replacement of batteries and failed chargers. Pro Charging System's sophisticated Eagle Performance Series line of chargers utilizes the company's proprietary Delta Volt® charging technology to enhance both the performance and life of batteries. The Eagle Performance Series of chargers utilizes intuitive technology that enables simple plug and play installation.

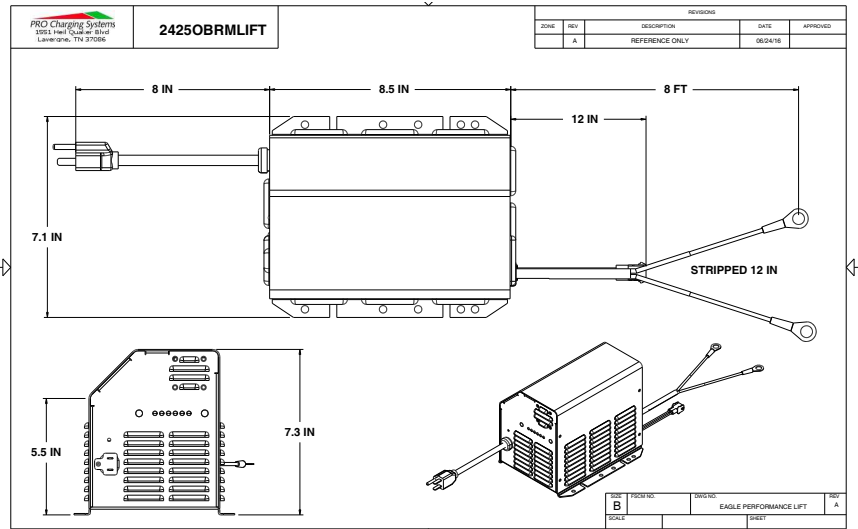
## More Features of the Eagle Performance Series On-Board Battery Chargers:

- Automatically detects and configures for battery type.
- For use with Wet Cell, AGM and Gelled Electrolyte batteries
- Battery type LED indicator
- Reverse polarity spark free operation
- Exclusive temperature compensation
- Fully automatic with float maintenance
- Return to charge maintenance mode
- Exclusive on board diagnostics
- High visibility, easy to read charge indicators
- Optional "Universal" A/C input
- Remote indicator via Deutsch connectors available
- Interlock connectors available
- Multiple mounting bracket options
- 18 month warranty

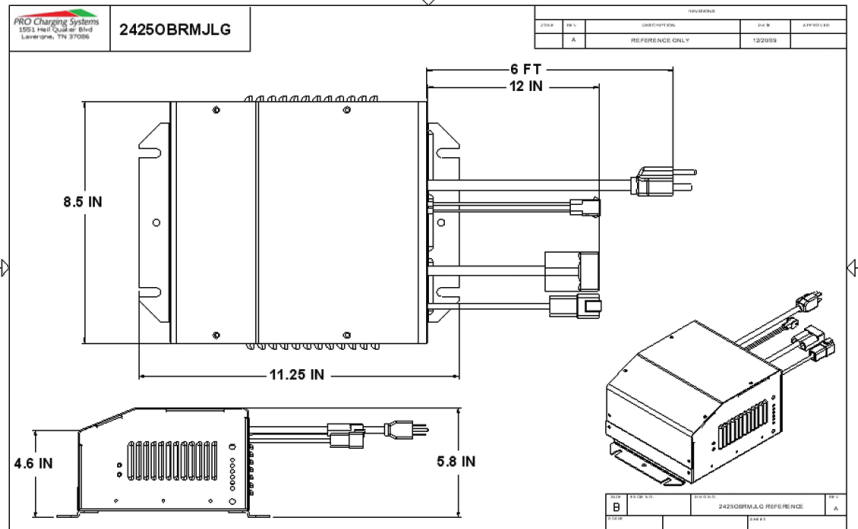




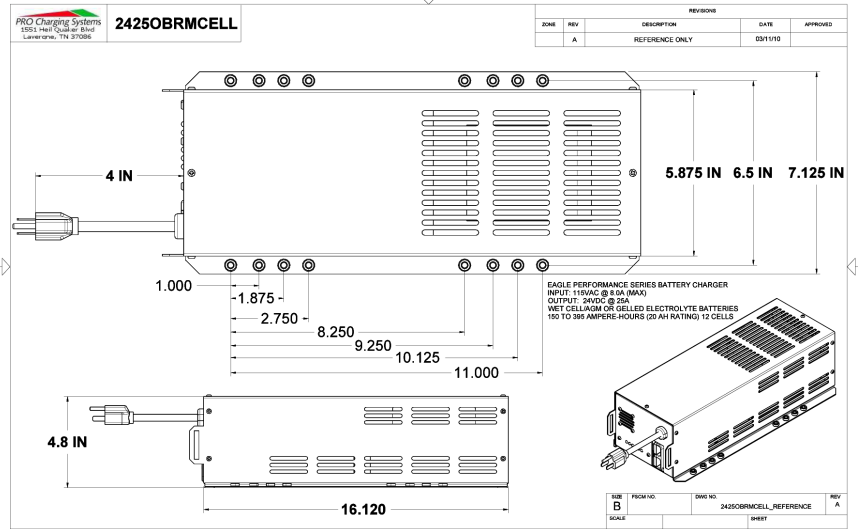
**2425OBRMLIFT** 24 Volt 25 Amps  
Fits: Genie, Skyjack, Snorkel, and Etc.



**2425OBRMJLG** 24 Volt 25 Amp  
Fits: JLG  
(Includes Deutsch connector for remote battery display)



**2425OBRMCELL** 24 Volt 25 Amps  
Fits: Battery packs for selected lift equipment



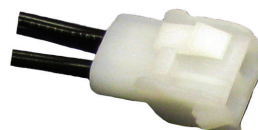
Several "Plug 'N Play" Connector Options Are Available For The Eagle Performance Series.



Anderson SB connectors



Deutsch connector (JLG)



AMP Mate-N-Lok



Ring Terminals