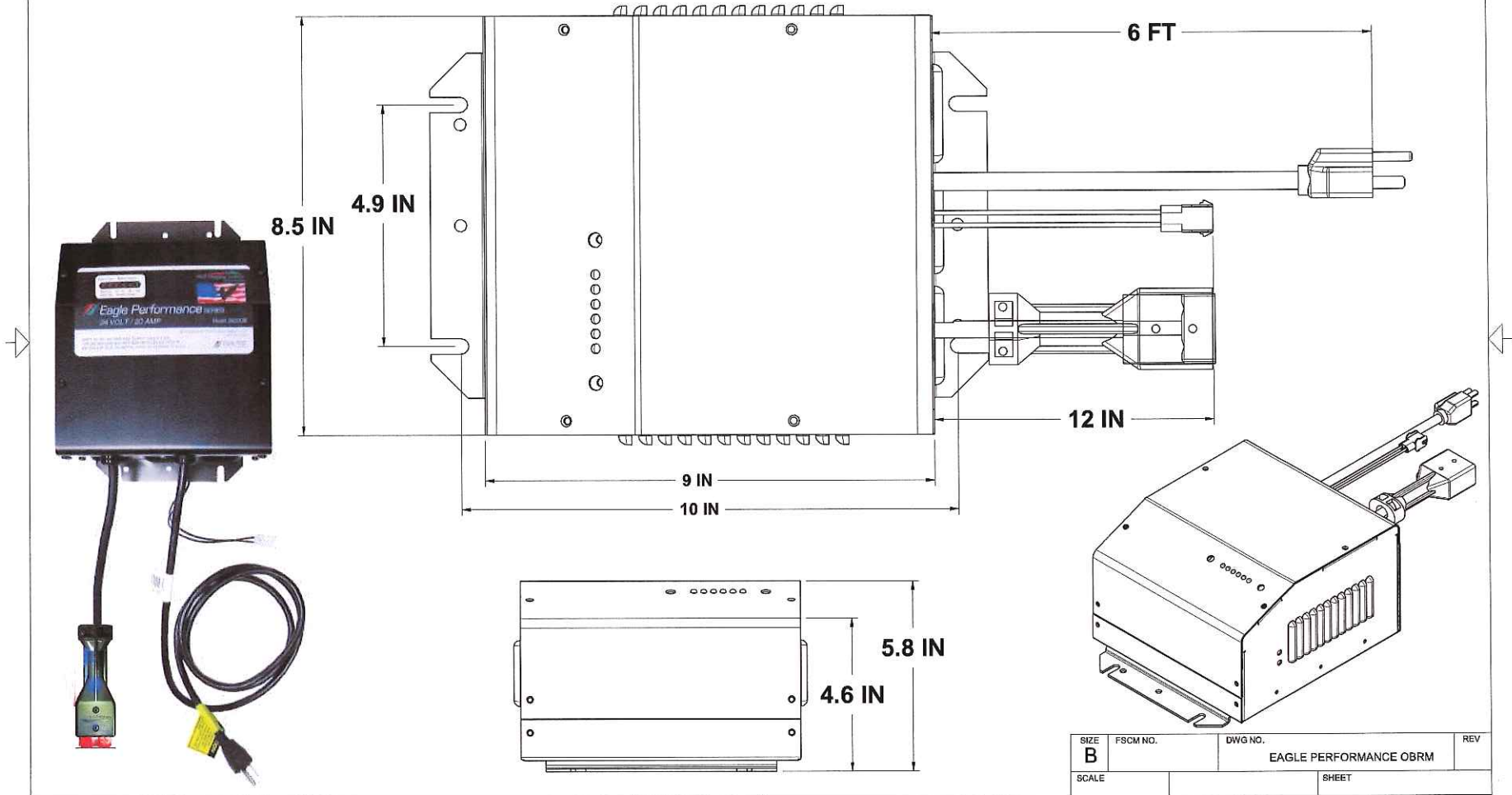


PRO Charging Systems
 1551 Heil Quaker Blvd
 Laverne, TN 37086

i2420OBRM / i2425OBRM / i4818OBRM
 JLG ES SERIES (GENERATION 1)

REVISIONS				
ZONE	REV	DESCRIPTION	DATE	APPROVED
	A	REFERENCE ONLY	07/28/11	



SIZE B	FSCM NO.	DWG NO. EAGLE PERFORMANCE OBRM	REV
SCALE		SHEET	