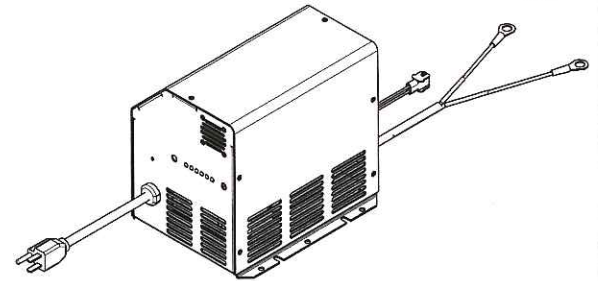
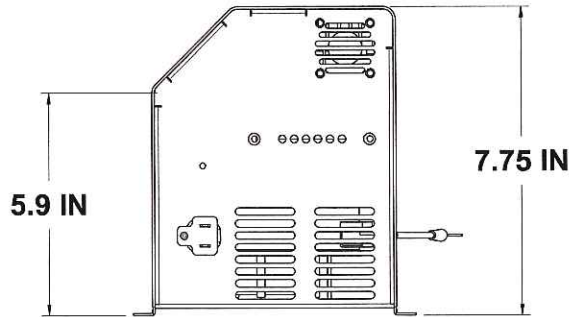
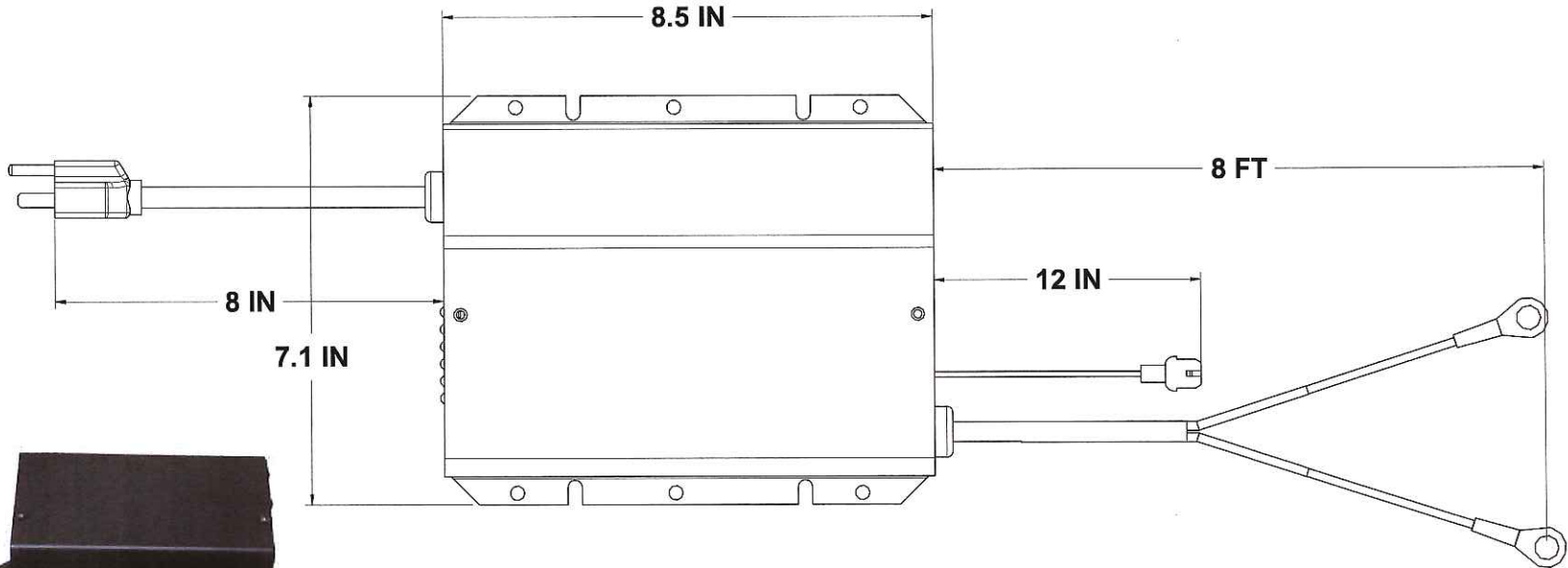


PRO Charging Systems  
 1551 Hill Quarter Blvd  
 Laverne, TN 37086

**i2420OBRMLIFT / i2425OBRMLIFT / i4815OBRMLIFT**  
 GENIE, SKYJACK, AND JLG E2 & E3 SERIES

REVISIONS				
ZONE	REV	DESCRIPTION	DATE	APPROVED
	A	REFERENCE ONLY	01/17/11	



SIZE <b>B</b>	FSCM NO.	DWG NO.	REV A
SCALE	EAGLE PERFORMANCE LIFT		SHEET