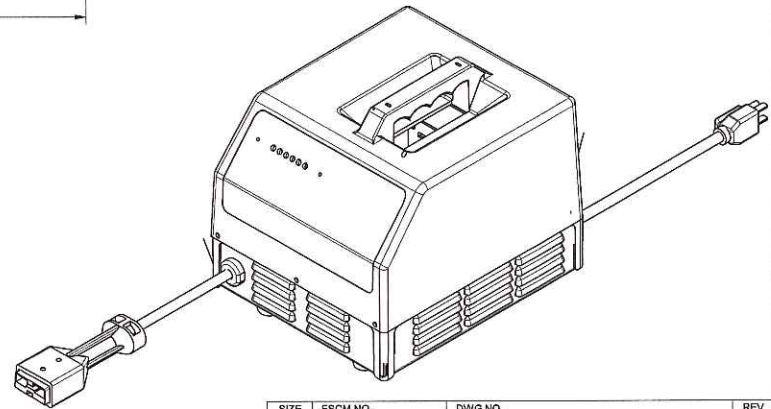
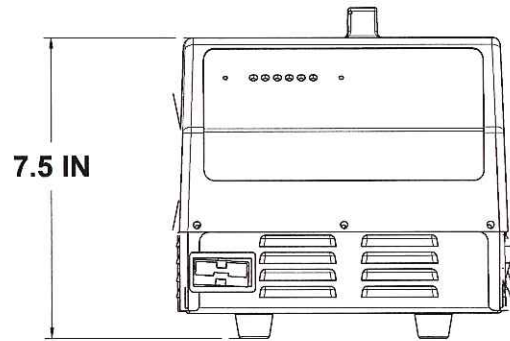
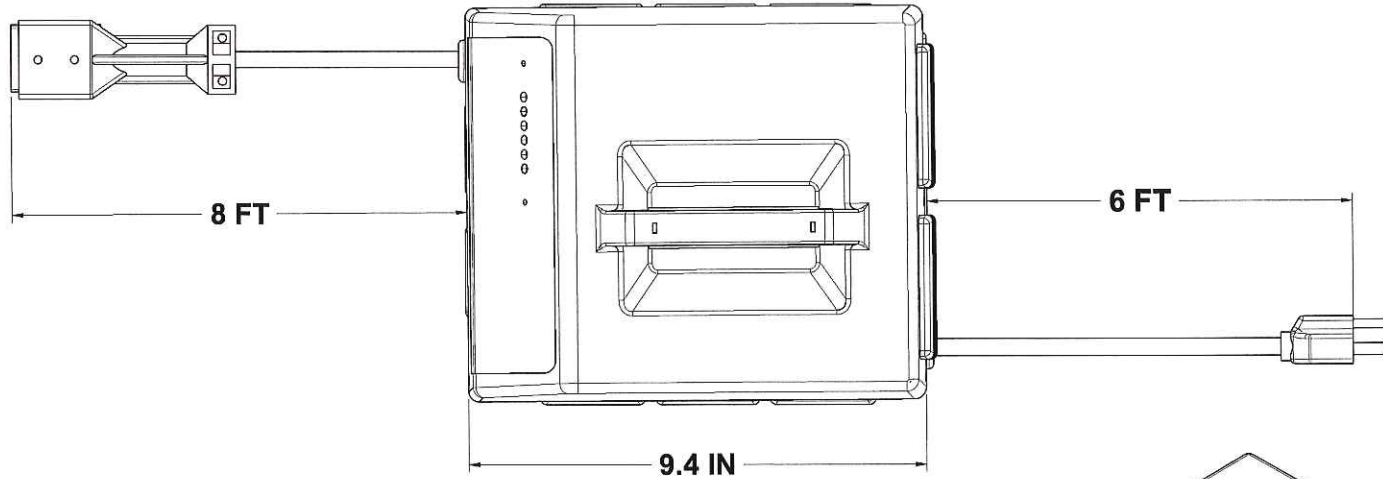


**i2420RM / i2425RM**  
**EAGLE PERFORMANCE SERIES PORTABLE**

REVISIONS				
ZONE	REV	DESCRIPTION	DATE	APPROVED
	A	REFERENCE ONLY	01/19/11	



SIZE <b>B</b>	FSCM NO.	DWG NO.	REV <b>A</b>
SCALE		EAGLE PERFORMANCE RM	SHEET