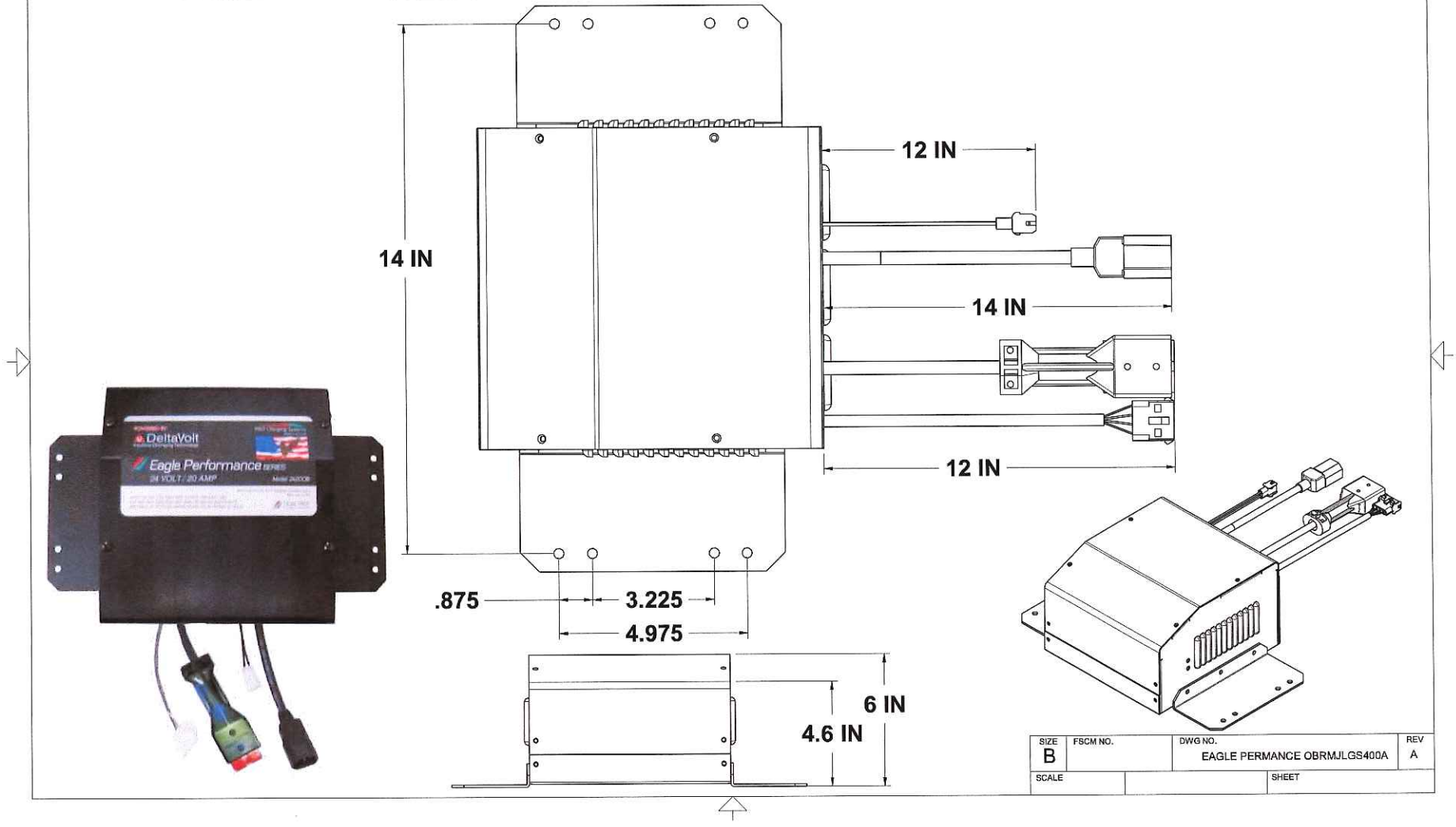


PRO Charging Systems  
 1551 Heil Quaker Blvd  
 Laverne, TN 37086

**i48180BRMJLGS400A**  
**JLG E SERIES**

REVISIONS				
ZONE	REV	DESCRIPTION	DATE	APPROVED
	A	REFERENCE ONLY	01/18/11	



SIZE <b>B</b>	FSCM NO.	DWG NO. EAGLE PERMANCE OBRMJLGS400A	REV A
SCALE			SHEET